

Sicotast S7

The switch system for universal use

- in keyboards
- cash registers
- electronic scales

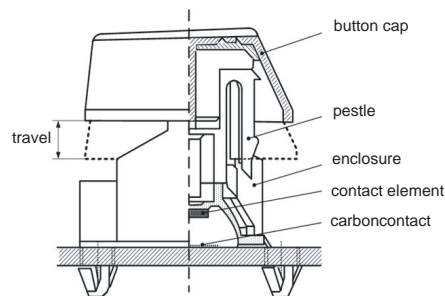


Sicotast S7

Description:

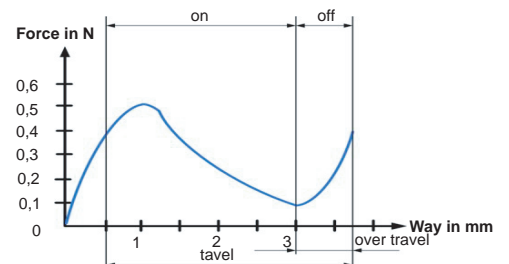
- Button-switch family which build up all on the same principle
- About the conception universal uses
- A cross uptake enables the use with many different button forms
- The switch is used by installation on printed wirings with carbon contacts

Construction:



Features:

- High life time
- High-quality materials
- Robust construction
- Simple assembly and exact customization by two locked tappets (no braze, no weld)
- Self cleaning about the silicon contact pellet (no maintenance)
- Ergonomic correctly tuning from operation force and - way



DS Keyboard
Technic GmbH

Development
Production
Distribution

- keyboards
- input modules and switches
- control units and panels
- electronic modules

Order number for example:

notation: Sicotast S7
article number: 20201

More information to each variant and their order numbers, see our web-site at

www.dskeyboard.com

- Tactile pressure point through a snap effect
- Smooth vibration-proof button duct

Mechanical Data:

- Travel 3,25 mm, tactile feel
- Overtravel 0,20 mm
- Operation force 0,55 N, +/- 0,20 N
- Durability > 10 million ops.
- Contactmode: carbon contact
- Pressure point: with snap effect
- Installation: on 1,5 mm PCB with carbon contacts
- Storage temperature -40°C - +85°C
- Operation temperature -20 °C - +60°C
- Material:
 - enclosure and pestle POM respective ABS
 - contact element HTV silicon with carbon contact pellet in silicon

Use Possibilities:

- Text systems
- PC systems
- Cash registers
- Electronic scales
- Machine regulations
- Instrumentation

Detail Views:

- Cross uptake for use with many different button forms



Electrical Data:

- Switching capacity max.0,30 W
- Duration of bounce < 5 ms
- Through resistance 150 Ohm max.
- Contact power rating ≤- 30 V / 10mA

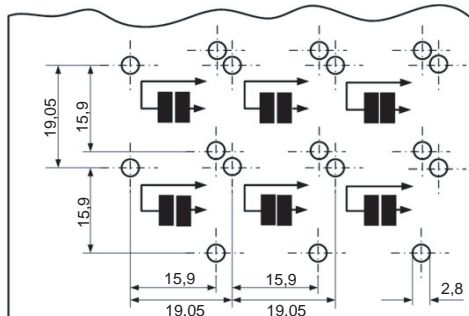
Principle:

- Contact by a silicon switch pad with carbon contacts.

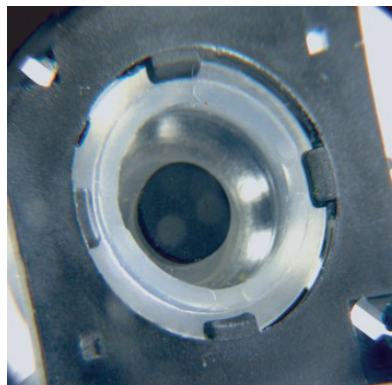
Variants:

- Different button variants are possible. (see our web-site)

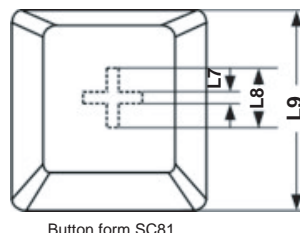
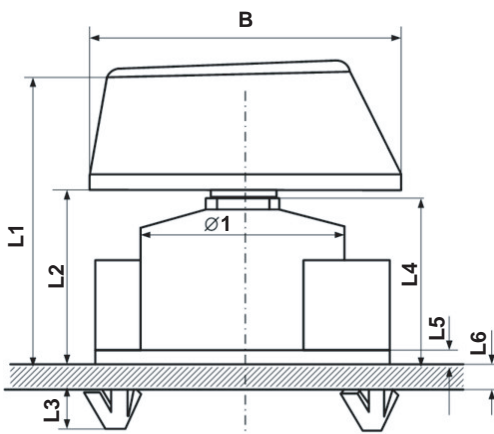
Grid dimensions (PCB-Detail):



- Silicon contact pellet absolutely maintenance free



Dimensions:



Button form SC81

More information about the measurements can be downloaded from our web-site.

- L1 = 16,00mm
- L2 = 10,00mm
- L3 = 2,50mm
- L4 = 10,20mm
- L5 = 1,40mm
- L6 = 1,50mm
- L7 = 1,00mm
- L8 = 5,00mm
- L9 = 18,20mm

- B = 18,20mm
- Diameter1 = 15,00mm

Sicotast S7

DS Keyboard Technic GmbH

Herrenlandstr. 31-35
78315 Radolfzell

Tel.:
+49 (0) 7732-82385-0

Fax:
+49 (0) 7732-82385-29

Mail:
info@dskeyboard.com

Internet:
www.dskeyboard.com