

Custom-Made Keyboard Membrane Contact Type (Hysteresis Feel) KHK Type

FEATURES

1. Hysteresis feel.
2. Uses a membrane sheet in the contact connector.
3. Mounting the chip diode on membrane (MITSUMI's own technology) has come to solve the problem of the N-key rollover which is indispensable for personal computers.



SPECIFICATIONS

ELECTRICAL SPECIFICATIONS

Item	Specifications
Max. Rating	12V DC, 1mA
Contact Bounce	10 msec, max.
Contact Resistance	1kΩ, max.
Withstand Voltage	250V AC, 1 minute
Insulation Resistance	50MΩ min.

Custom-Made Keyboard Membrane Contact Type (Soft Tactile Feel)

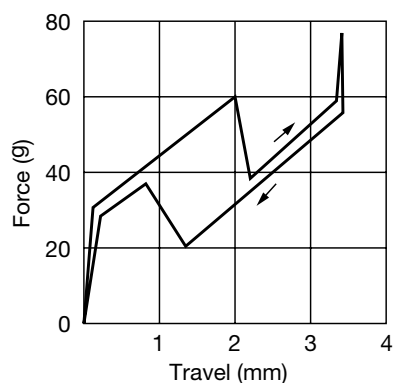
MECHANICAL SPECIFICATIONS

Item	Specifications
Operating Force	40g typ.
Maximum Force	60±20g
Drop Force	25±15g
Bottom Force	5g min.
Full Travel	3.5±0.5mm
Operating Point	2.3±0.7mm

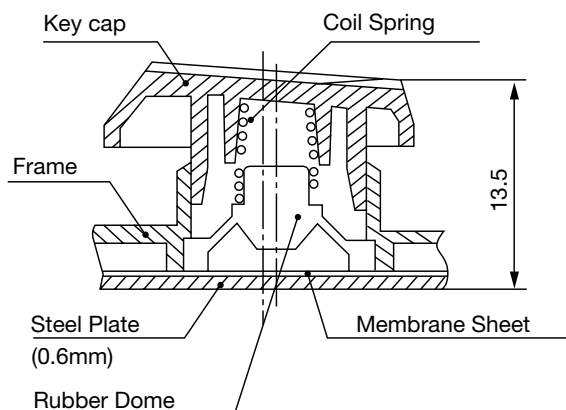
Endurance Characteristics

Item	Specifications
Operating Life	10 million times
Shock	3 axis
Operating Temp. Range	-5°C~+50°C
Storage Temp. Range	-20°C~+65°C

Characteristics



Construction



Unit:mm