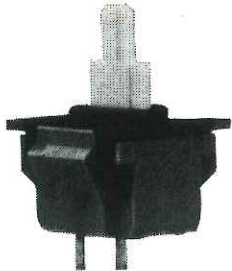


# S950 Keyswitch



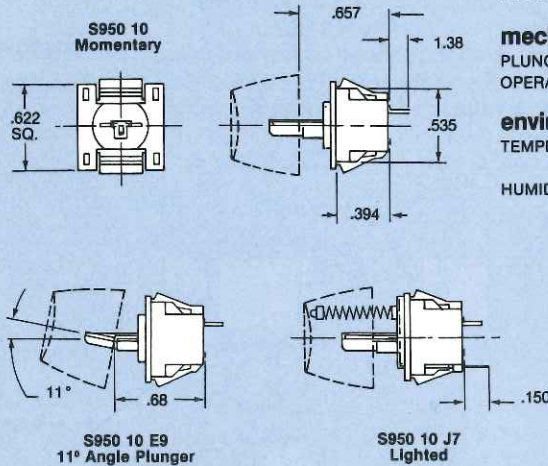
## S950 Keyswitch

single pole, **S95010**  
alternate action, **S95210**

LED lighted, **J7 modification**

11° plunger, **E9 modification**

Series S950 mechanical keyswitch is a low cost, compact switch with full travel (.150 inch). These characteristics make the S950 ideal for customized key pad designs and data entry devices.



### options

Series S950 keyswitch is available with momentary or alternate action. Options include an 11° angled plunger (E9 modification) and an independent LED circuit (J7 modification)

### specifications

#### electrical

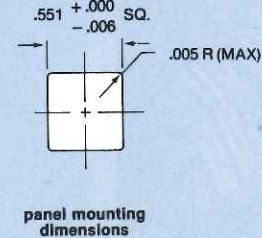
CONTACT RATING .....	12 VDC, .1 amp
CONTACT RESISTANCE .....	1 ohm maximum
CONTACT BOUNCE .....	5 m seconds maximum
LIFE .....	at 5 VDC, 5 MA
MOMENTARY ACTION .....	1x10 <sup>7</sup> cycles
ALTERNATE ACTION .....	3x10 <sup>8</sup> cycles
INSULATION RESISTANCE .....	10 <sup>7</sup> M ohms

#### mechanical

PLUNGER TRAVEL .....	.14 inch
OPERATING FORCE .....	60 grams

#### environmental

TEMPERATURE .....	from -5 to 50°C operating from -40 to 65°C storage
HUMIDITY .....	from 0 to 93% RH (noncondensing)



# How To Order

## Reed Switches

digits 

1	2	3	4	5	6	7	8	#	#
---	---	---	---	---	---	---	---	---	---

1 <input type="checkbox"/>	all switches begin with prefix "S"
2 <input type="checkbox"/>	identifies the configuration and case
3 <input type="checkbox"/>	dimensions
4 <input type="checkbox"/>	identifies the action
step 1: schematic	} digit 5 = the number of normally open poles digit 6 = the number of normally closed poles
7 <input type="checkbox"/>	
8 <input type="checkbox"/>	
# <input type="checkbox"/>	added mods—use as many digits as required
# <input type="checkbox"/>	

- step 2: Order lens separately.  
step 3: Order lamp separately.

example  
S  
|  
switch

88  
|  
case  
configuration

0  
|  
momentary  
action

10  
|  
schematic

E9  
|  
11°  
angled  
plunger

J7  
|  
lighted

## Telephone Sequence Hook Switches

digits 

1	2	3	4
---	---	---	---

1: <input type="checkbox"/>	all switches begin with prefix "S"
step 1: 2: <input type="checkbox"/>	identifies the configuration and case
3: <input type="checkbox"/>	dimensions
4: <input type="checkbox"/>	identifies the action

- step 2: Provide schematic which describes  
— Number of poles  
— Contact arrangement in off-hook position  
— Sequence of contact operation from off-hook to on-hook position