

# Custom-Made Keyboard Membrane Contact Type (Soft Tactile Feel) KUK Type (Height 9mm)

## FEATURES

1. Soft-tactile feel focusing on the operability.
2. Mitsumi-original simple construction that materializes ultra-thin keyboards.
3. Mounting the chip diode on membrane (Mitsumi's own technology) has come to solve the problem of the N-key rollover which is indispensable for personal computers.



## SPECIFICATIONS

### ELECTRICAL SPECIFICATIONS

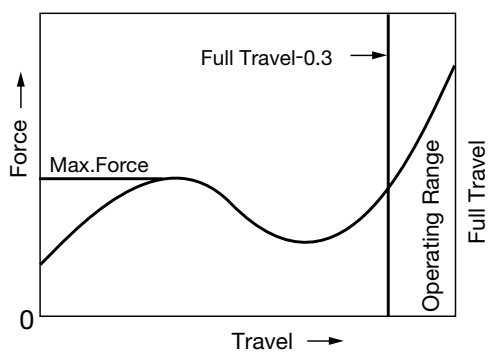
Item	Specifications
Max. Rating	12V DC, 1mA
Bounce	10 msec, max.
Contact Resistance	1kΩ, max.

Custom-Made Keyboard Membrane Contact Type (Soft Tactile Feel)

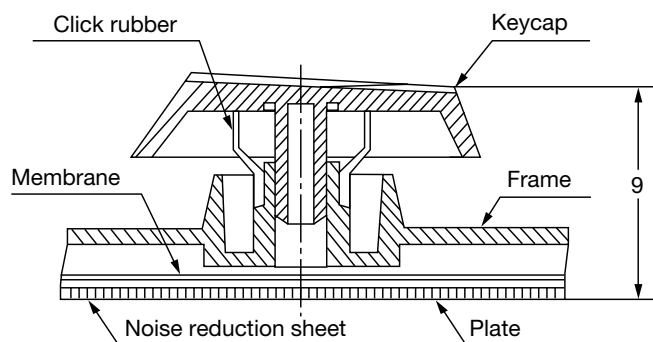
MECHANICAL SPECIFICATIONS

Item	Specifications
Maximum Force	50g
Full Travel	2mm
Operating Life	10,000,000times
Operating Temp. Range	-5°C~+50°C
Storage Temp. Range	-20°C~+60°C

Characteristics



Construction



Unit : mm