

## FEATURES

- Life 30 million keystrokes
- Momentary action
- Various style keycaps available

## SPECIFICATIONS

### MECHANICAL

Operating force	3.5 ±0.8 Oz.
Pretravel	0.03 ±0.01 In.
Total travel	0.12 ±0.01 In.

### ELECTRICAL

Current	5 mA
Voltage	24 VDC
Contact resistance	150 mOhm max.
Bounce	1 mSec. max.
Circuit	S.P.S.T. Normally open

### ENVIRONMENTAL

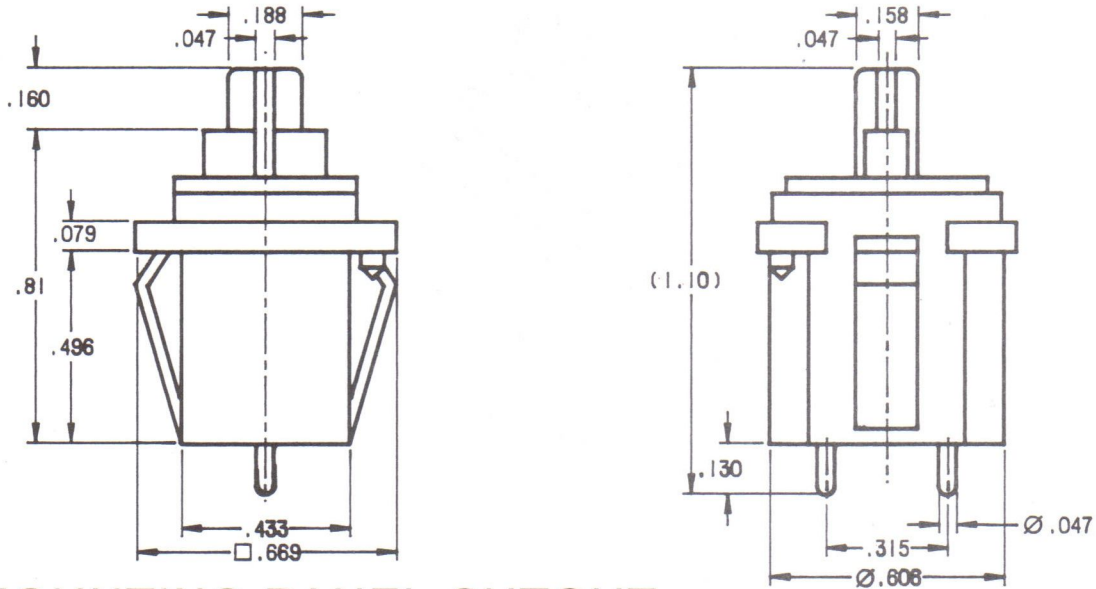
Life	30,000,000 cycles
Operating temperature	-10° - +60°C
Storage temperature	-30° - +80°C
Humidity	0 - 95% non condensing



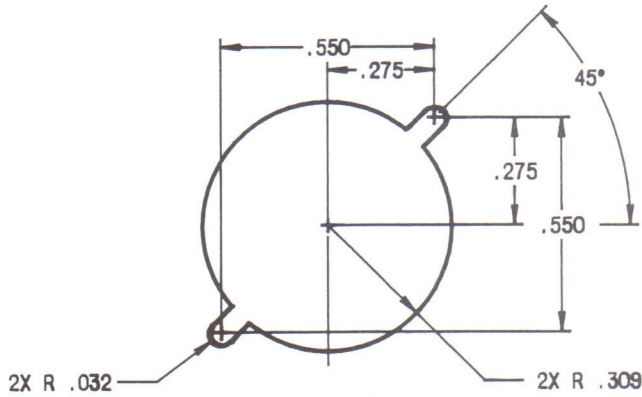
## GEORGE RISK INDUSTRIES, INC.

GRI PLAZA • KIMBALL, NEBRASKA 69145-1599  
TEL: 800-445-5218 FAX: 308-235-2609  
800-523-1227  
308-235-4645

## DIMENSIONS

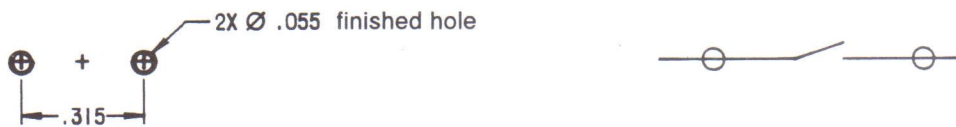


## MOUNTING PANEL CUTOUT



Recommended panel thickness: .050 IN.

## P.W.B. LAYOUT AND SCHEMATIC



## ORDERING INFORMATION

BULLETIN S-22

Part Number KBR-01-01-B



**GEORGE RISK INDUSTRIES, INC.**

GRI PLAZA • KIMBALL, NEBRASKA 69145-1599  
 TEL: 800-445-5218 FAX: 308-235-2609  
 800-523-1227  
 308-235-4645