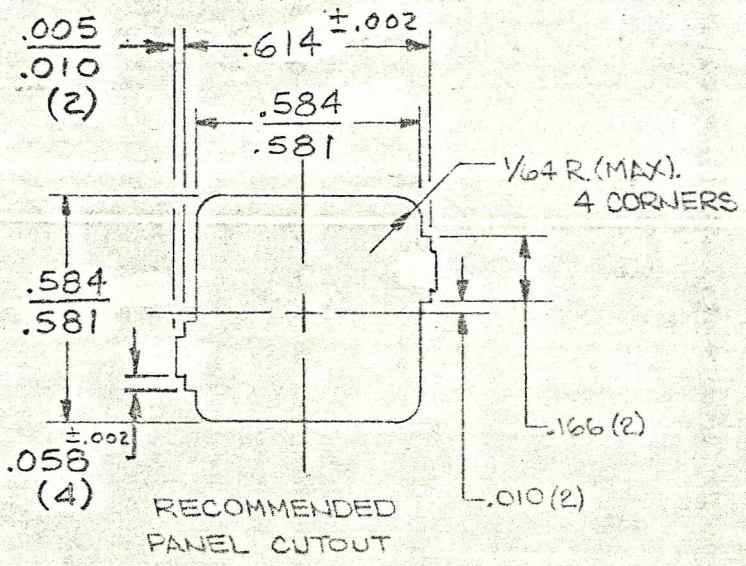
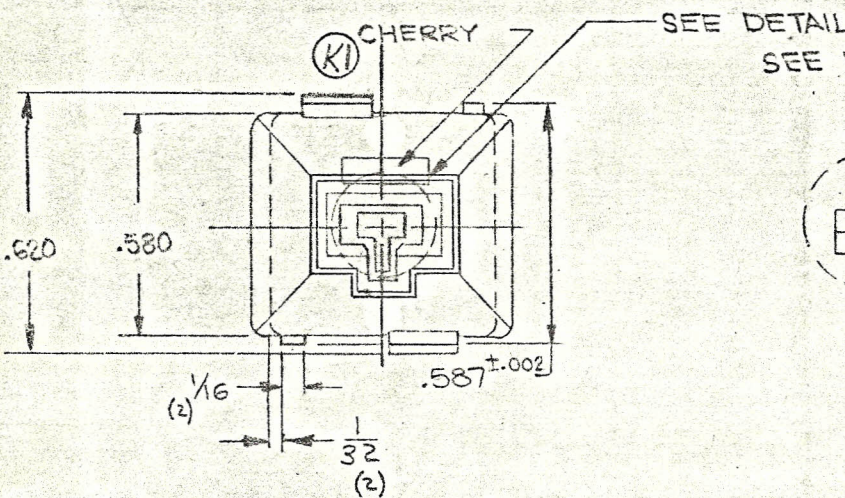
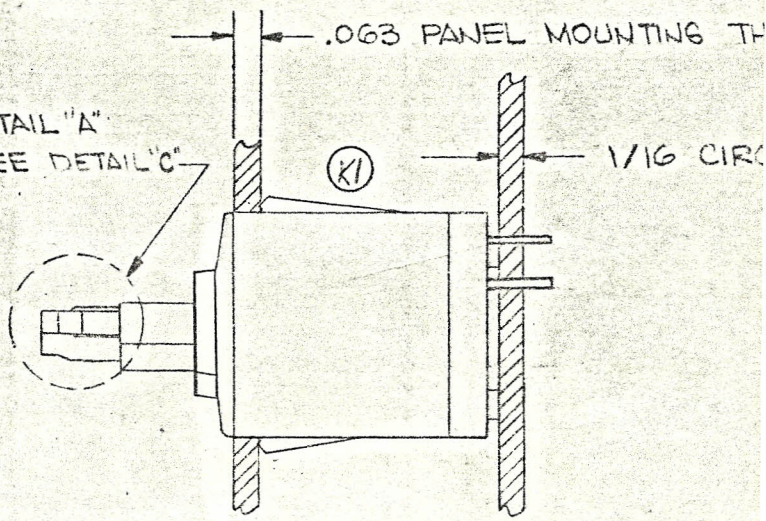


CASE OPENING

ACTUATOR

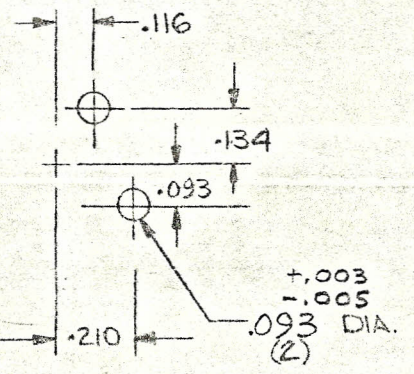
SCALE: 4/1

SEE DETAIL "B"



RECOMMENDED PANEL CUTOUT

CIRCUIT BOARD LAYOUT



K1	ECN 27173	9-13-79	AK
J	ECN 19315	12-23-75	TDM
H	ECN 18963	11-19-75	TDM

G	ECN 18243
F	ECN 17999
E	ECN 15852
D	ECN 13461
C	ECN 13337
B	ECN 13287
A	ER -
REV.	DESCRIPTION

