

Mini-keyboard designed for Windows® 98/2000

KEK-EA4AU, -EA9AU (PC-AT 104 Keys)
 (Compatible 109 Keys)

FEATURES

1. PS-2 compliant keyboard designed for Windows® 98/2000.
2. Space-saving design takes up less room - about 40% less than our KFK-EA4XA.
3. Elegant design combines compact size and ease of use.
4. Laser printed characters can be recycled in order to protect the environment.
5. Straight cord with Mini-DIN type 6 contacts connector.
6. Unique adjustable cable gutter (Left-Center-Right).
7. Adjustable tilt mechanism.

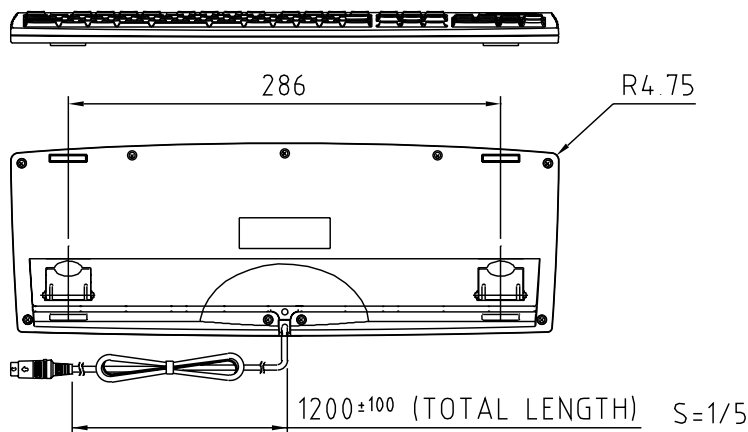
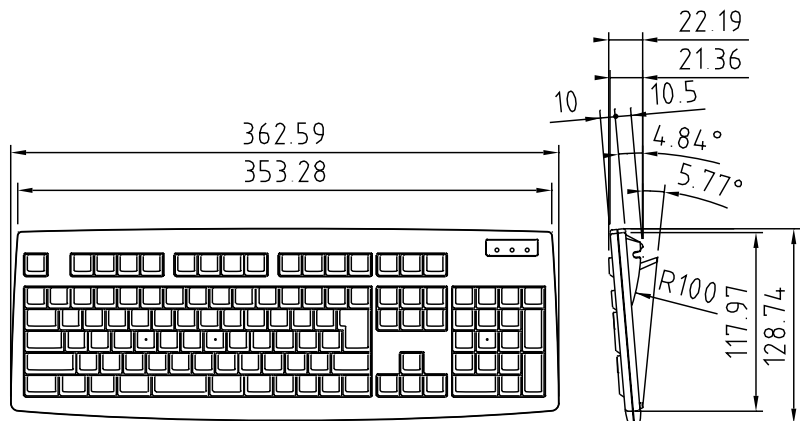
* "Windows®" is registered trademark of Microsoft corp.
 "PC-AT" is registered trademark of International Business Machines corp.



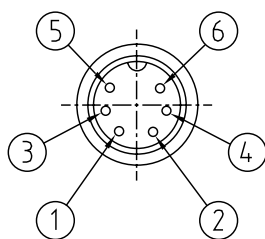
SPECIFICATIONS

Item	Specifications
Keyboard Inclination	Step type
Key Row Offset	7.65-3.83-7.65mm (Keypitch 15.30)
Key Travel	2.0mm
Output Level	TTL Compatible
Output Signal	Transmission of serial data is compatible with the DOS/V (PC-AT) Make-break key code transmission.
Supply Voltage	Voltage: +5V±0.25V DC Current: 100mA max.

DIMENSIONS



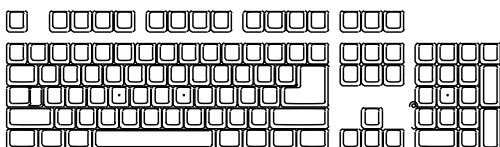
6PIN MINI-DIN CONNECTOR



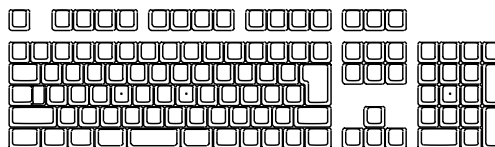
Terminals

Pin No.	Signal
1.	Date
2.	N. C
3.	GND
4.	Vcc (+5V)
5.	Clock
6.	N. C

LAYOUT



BIG ENTER 104 KEYBOARD



STANDARD ENTER 109 KEYBOARD